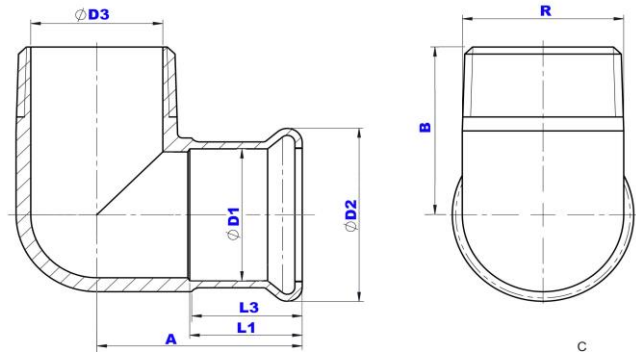


MasterFlow

THE NAME YOU CAN TRUST

MCP17 90 Bend



Code	D1	D2	L1	L2	A	B	R
MCP17150400	15.00	23.10	20.00	15.00	30.00	24.50	1/2"
MCP17220600	22.00	31.00	21.00	19.00	42.00	27.00	3/4"
MCP17280800	28.00	37.00	23.00	21.00	42.00	36.00	1"